

Residential Permit Requirements

Toilet Handrail Blocking in Restroom Walls

City of Plano Building Inspections Department

Ordinance No. 2018-11-16

Section R307.2 and R307.3; *added to read as follows:*

R307.2 Toilet space.

Required at one toilet at grade level. Blocking per Sec. R307.2 and Figure 307.2, shall be installed at a rear wall behind a toilet and at one adjacent wall where it is provided.

R307.3 Blocking.

Blocking may be 1/2" plywood let in flush with wall or 2 x 12 blocking per Figure 307.3.

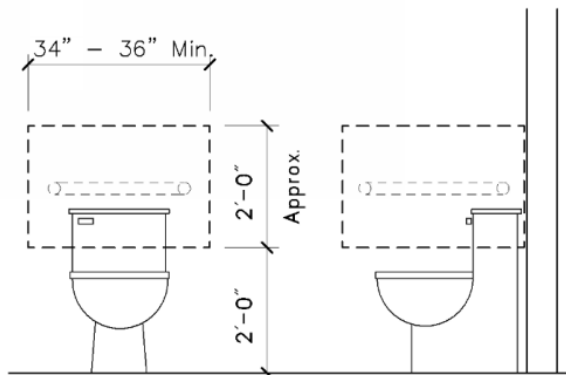


Figure 307.2

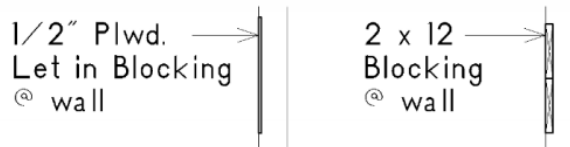


Figure 307.3

This handout is for informational purposes only and should not be relied on in place of official regulations and/or policies. The CITY OF PLANO makes no representations, guarantees, or warranties as to the accuracy, completeness, currency, or suitability of the information provided via the handout. Customers and citizens are personally responsible for complying with all local, state and federal laws pertaining to projects within the city. Copies of the CITY OF PLANO adopted codes and Zoning Ordinances can be found on the city website at www.plano.gov or at the CITY OF PLANO Municipal Center at 1520 K Avenue, Plano, Texas.